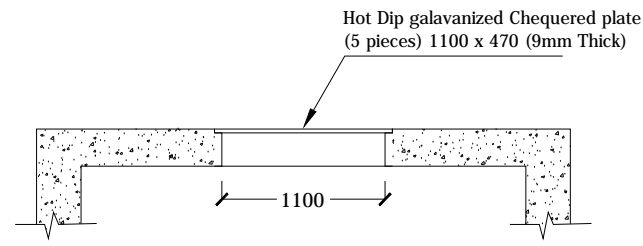
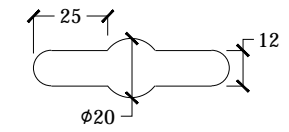


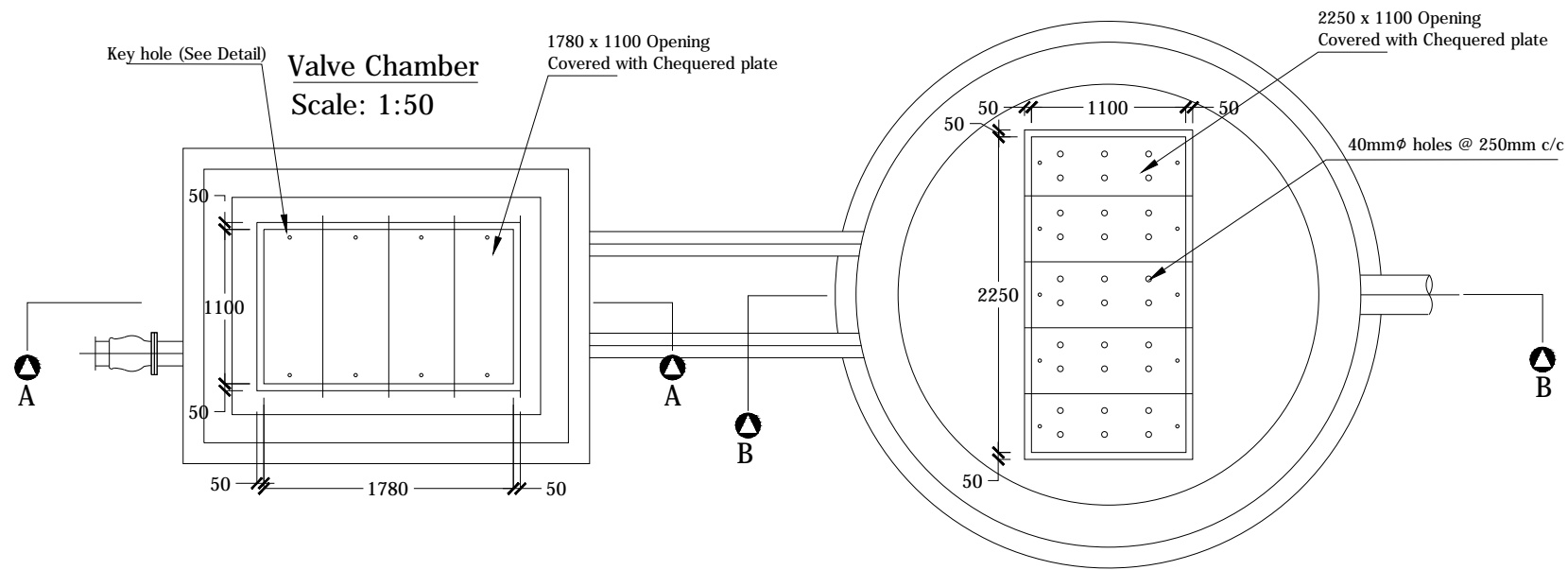
Section A-A
Scale: 1:50



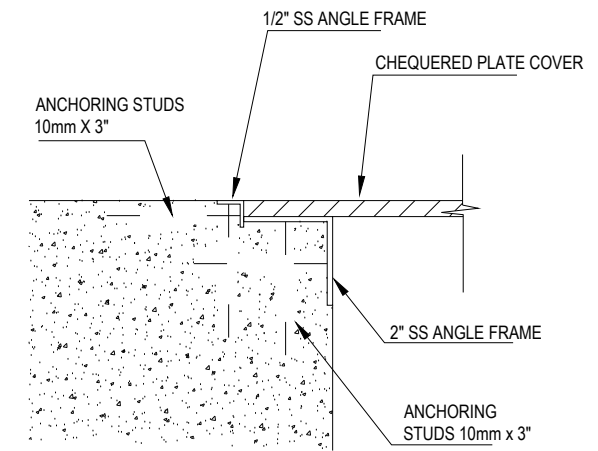
Section B-B
Scale: 1:50



Key hole Detail

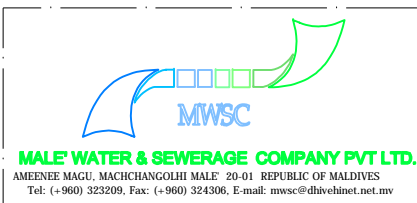


Pump Well
Scale: 1:50



Detail 'B'
Not to Scale

PLAN AT TOP



PROJECT: CONSTRUCTION OF PUMPING STATION- PS1 AT GULHIFALHU	SCALE: AS GIVEN	DRW NO. : GFPS-04	DESIGN BY: MWSC	DRAWN BY: Paul	AMMENDMENTS:
CONTENTS: SUMP WELL DETAILS	DATE: 30.01.2012		STRUCTURAL DESIGN BY:	CHECKED BY:	